



Stainless

BI2115SOD

OUTDOOR SERIES

FEATURES

PERFORMANCE

- Daily ice rate of up to 25 lbs of crescent ice
- Stores up to 25 lbs of ice
- Uses less than 3 gallons of water to produce 25 lbs of ice, conserving both energy and water
- Uses less energy than a 75 watt light bulb
- Perfect size crescent ice cubes (1/2"W x 3/4"H x 2-1/2"L)
- Mechanical control monitors ice making operation to ensure maximum daily ice production
- Manual defrost
- UL residential and outdoor listing

INTERIOR / EXTERIOR

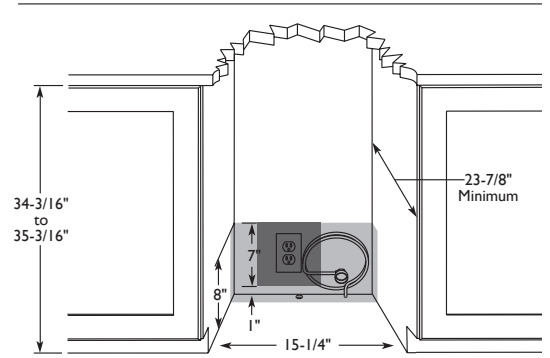
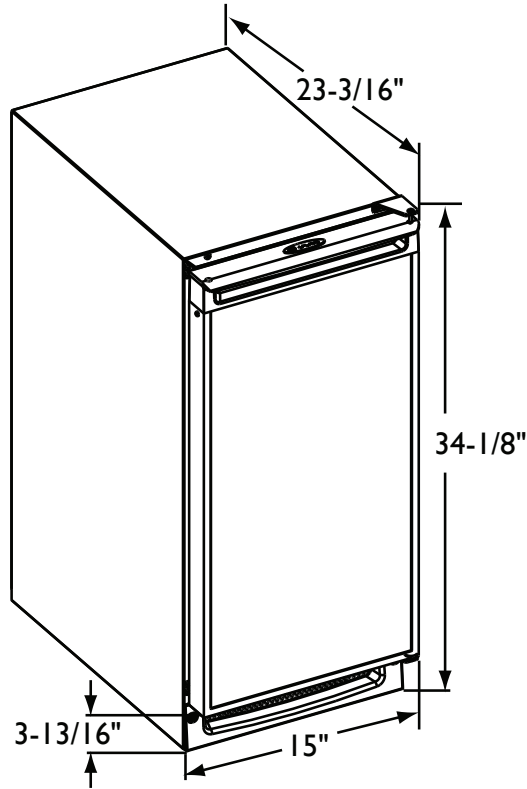
- No drain required, easy and inexpensive to install and requires only a 1/4" outside diameter water line
- Standard professional stainless steel handle is 1-1/4" diameter and is interchangeable with commercial handle option
- Full wrap stainless door; unit must be ordered right or left hand hinged
- Full stainless steel cabinet and deemed suitable for outdoor use by UL

INTEGRATION

- Unit can be built-in or freestanding providing a custom aesthetic
- Allow a 2-1/2" clearance on hinged side for 90° door opening when installed adjacent to a wall
- Allow 1/4" width overall for proper installation (see backside for details)
- No additional clearance around sides, top or rear of unit is needed for ventilation
- Durable, factory installed level legs provide a more precise undercounter fit
- Do not obstruct front grille air flow



Durable outdoor units come fully wrapped in stainless with a 1-1/4" diameter professional handle.



2175RSOD Stainless Model
 * Add 5/8" for water line clearance

DIMENSIONS AND SPECIFICATIONS

OVERALL DIMENSIONS

Height	34-1/8" (86.6)
Width	15" (38.1)
Depth	23-1/8" (58.7)
With stainless steel handle	25" (63.5)
Shipping weight:	92 lbs (42 kg)
Running amps	2.5
Maximum start-up amps	18.0
Amps pertain to voltage rating	110/115 volt, 60 Hz
Capacities:	
Defrost technology	Manual
Approximate ice production	25 lbs
Ice storage	25 lbs

B12115SOD

Stainless Right-hand	U-B12115SOD-00
Stainless Left-hand	U-B12115SOD-01

Please visit www.u-line.com for installation guide.
 All specifications are subject to change without notice.

