



Stainless

Lock model

1075WC

1000 SERIES

FEATURES

PERFORMANCE

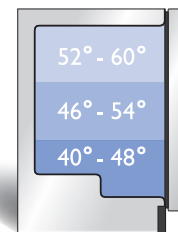
- Wine bottle capacity of up to 48 bottles (.75L)
- Mechanical controlled triple temperature zone
- Temperature range 40 to 60°F
- Stable, consistent temperatures provide longer term storage capability
- UL residential listing

INTERIOR / EXTERIOR

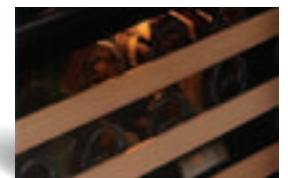
- 2 wine racks will fit larger diameter wine bottles, including Champagne bottles
- Recessed lighting automatically illuminates the white interior when the door is opened
- Solid beech wood trimmed, 3/4 extension black powder coated wine racks
- Standard commercial stainless steel handle is interchangeable with professional handle option on stainless steel model
- Stainless steel model has stainless wrap with black caps on top and bottom to make this unit field reversible
- LowE coated, argon gas filled thermopane glass door provides protection from potentially harmful UV rays and added insulating energy efficiency
- Black vinyl clad textured cabinet is more resistant to scratching, peeling and flaking
- Optional locking door model must be ordered right-hand or left-hand hinge specific

INTEGRATION

- Solid beech wood trim on wine racks can be stained to match surrounding cabinetry
- Allow a 2-1/2" clearance on hinged side for 90° door opening when installed adjacent to a wall
- Allow 1/4" width overall for proper installation (see backside for details)
- No additional clearance around sides, top or rear of unit is needed for ventilation
- Do not obstruct front grille air flow
- Durable, factory installed level legs provide a more precise undercounter fit

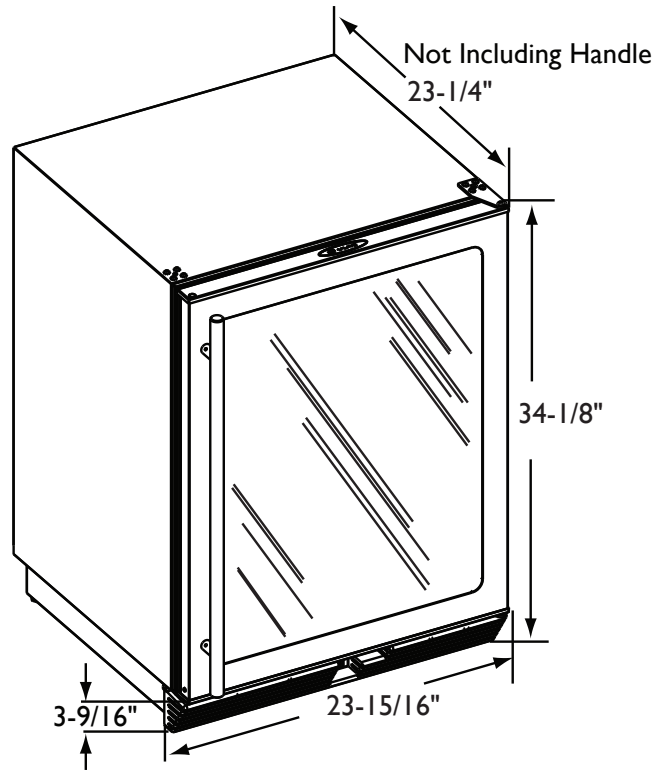


Triple Zone System
featured in 1075WC.



For elegant presentation of your wine collection, all U-Line Wine Captain® Models have an illuminated interior.

*Lock model must be ordered right-hand or left-hand hinge specific.



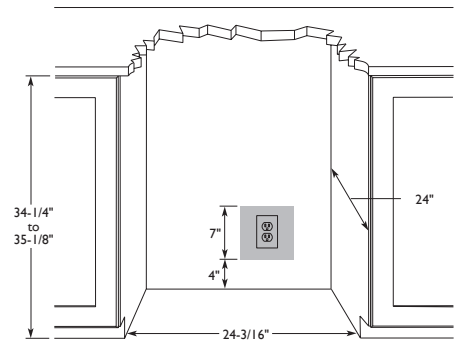
I075WCS Stainless Model

DIMENSIONS AND SPECIFICATIONS

OVERALL DIMENSIONS

Height	34-1/8" (86.6)
Width	23-15/16" (60.8)
Depth	23-1/4" (59.2)
With stainless steel handle	25-3/16" (64.0)
Shipping weight:	134 lbs (60 kg)
Running amps	2.4
Maximum start-up amps	9.8
Amps pertain to voltage rating	110/115 volt, 60 Hz
Capacities:	
Wine bottle storage (0.75L)	Up to 48

I075WC	
Stainless	U-I075WCS-00
Stainless, RH with lock	U-I075WCS-13
Stainless, LH with lock	U-I075WCS-15



Please visit www.u-line.com for installation guide.

All specifications are subject to change without notice.

