



Stainless



Black

## 1115R

### 1000 SERIES

#### FEATURES

##### PERFORMANCE

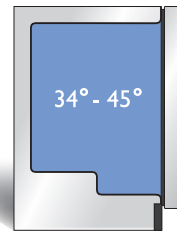
- 3.0 cubic feet overall capacity maximizes storage
- Touch pad digital control featuring easy view command center manages key functions and provides user alerts such as a door open alert
- Digital controlled passive cooling system
- Temperature setting from 34 to 45° F provides flexibility for preserving a wide variety of food and beverage items
- Sabbath / Blackout mode turns off all lighting, controls display and automatically resets after 36 hours
- UL residential and commercial listings
- Automatic defrost

##### INTERIOR / EXTERIOR

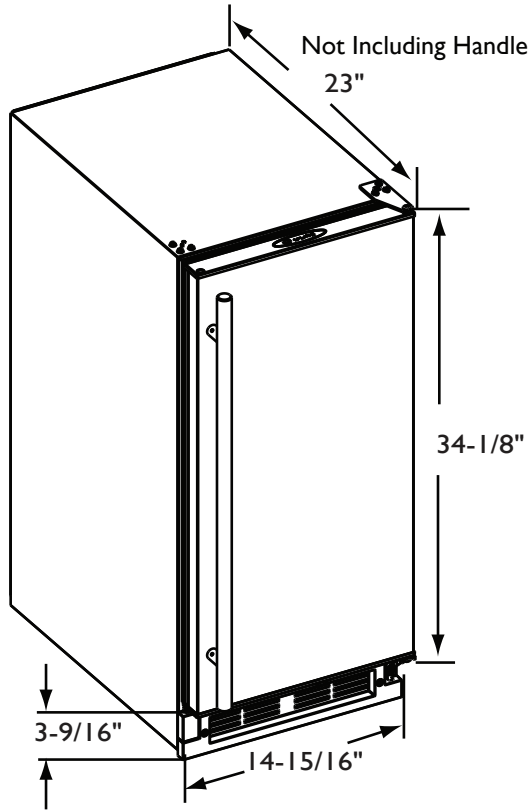
- Lighted white interior optimizes easy viewing of contents
- Three tempered glass shelves with bullnose edge to maximize storage potential
- Standard commercial stainless steel handle is interchangeable with professional handle option for stainless steel model
- Two adjustable door bins allow for flexible storage
- Black model door is field reversible
- Stainless steel wrap door with black end caps on stainless model must be ordered left or right hand hinged
- Black vinyl clad textured cabinet is more resistant to scratching, peeling and flaking

##### INTEGRATION

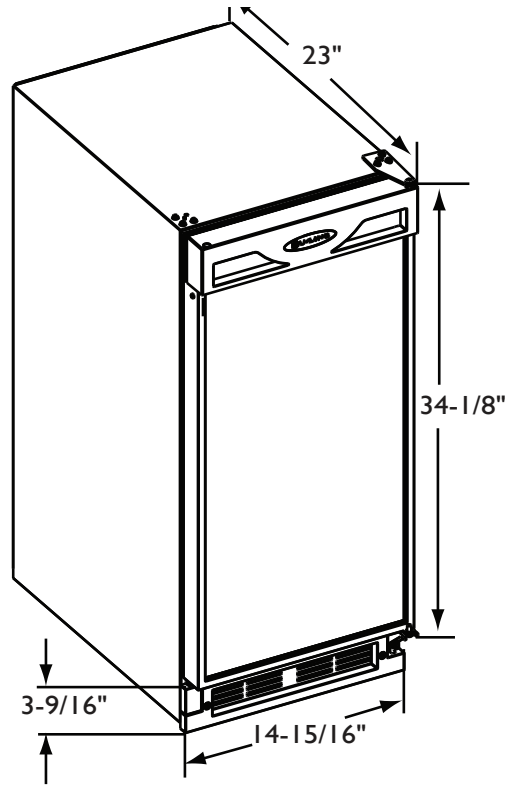
- Unit can be built-in or freestanding providing a custom aesthetic
- Allow a 2-1/2" clearance on hinged side for 90° door opening when installed adjacent to a wall (for stainless steel model)
- Black model will accept a 1/4" insert panel to match with surrounding decor
- Allow 1/4" width overall for proper installation (see backside for details)
- No additional clearance around sides, top or rear of unit is needed for ventilation
- Durable, factory installed level legs provide a more precise undercounter fit
- Do not obstruct front grille air flow



Single Zone Passive Cooling System featured in 1115R.



1115RS Stainless Model



1115RB Black Model

**DIMENSIONS AND SPECIFICATIONS**

**OVERALL DIMENSIONS**

Height	34-1/8" (86.6)
Width	14-15/16" (37.8)
Depth	23" (58.4)
With stainless steel handle	24-7/8" (63.2)

**Shipping weight:**

Black and white models	82 lbs (37 kg)
Stainless model	86 lbs (39 kg)

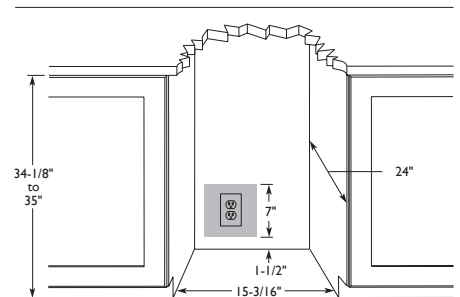
Running amps	2.4
Maximum start-up amps	9.8
Amps pertain to voltage rating	110/115 volt, 60 Hz

**Capacities:**

Defrost technology	Automatic
Refrigerator volume	3.0 Cu. Ft

**1115R**

Stainless Right-hand	U-1115RS-00
Stainless Left-hand	U-1115RS-01
Black	U-1115RB-00



Rough opening and electrical location dimensions

Please visit [www.u-line.com](http://www.u-line.com) for installation guide.

All specifications are subject to change without notice.

