



Stainless

Lock model

## 1175BEV

### 1000 SERIES

#### FEATURES

##### PERFORMANCE

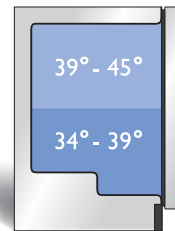
- 5.6 cubic feet overall storage capacity allows for up to 16 (.75L) wine bottles, 48 – 12 oz beer bottles and 65 – 12 oz. cans
- Touch pad digital control
- Double-zone cooling system provides a stable and consistent environment for optimum beverage storage
- Temperature setting from 34 to 45° F
- Sabbath / Blackout mode turns off all lighting, controls display and automatically resets after 36 hours
- UL residential and commercial listings

##### INTERIOR / EXTERIOR

- Lighted black interior optimizes elegant display and easy viewing of contents and can be manually turned on for display of contents with door closed; automatically shuts off after four hours
- Two solid beech wood trimmed, 3/4 extension black powder coated wine racks
- Two tempered glass shelves with bullnose edge to maximize storage potential
- Standard commercial stainless steel handle is interchangeable with professional handle option
- Stainless steel model has stainless wrap with black caps on top and bottom to make this unit field reversible
- LowE coated, argon gas filled thermopane glass door provides protection from potentially harmful UV rays and added insulating energy efficiency
- Black vinyl clad textured cabinet is more resistant to scratching, peeling and flaking
- Optional locking door model must be ordered right-hand or left-hand hinge specific

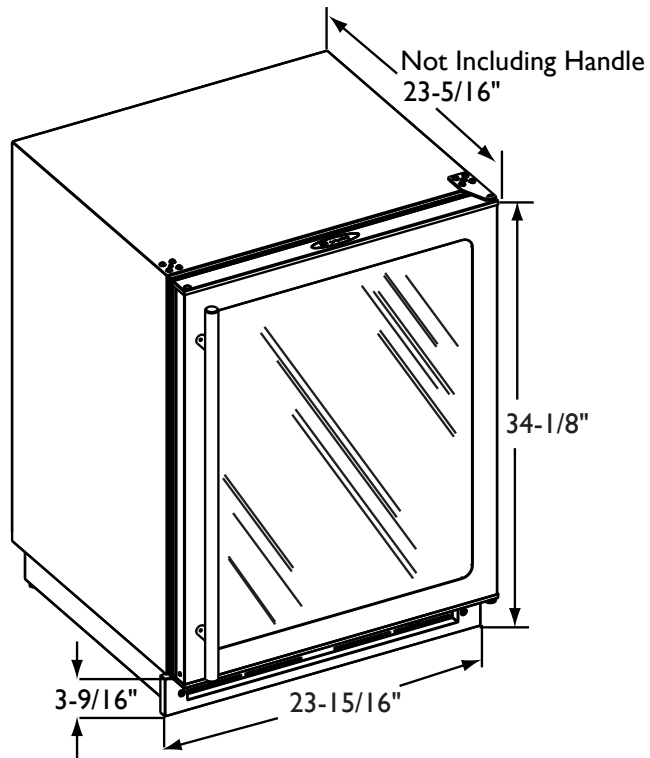
##### INTEGRATION

- Solid beech wood trim on wine racks can be stained to match surrounding cabinetry
- Unit can be built-in or freestanding providing a custom aesthetic
- Allow a 2-1/2" clearance on hinged side for 90° door opening when installed adjacent to a wall
- Allow 1/4" width overall for proper installation (see backside for details)
- No additional clearance around sides, top or rear of unit is needed for ventilation
- Durable, factory installed level legs provide a more precise undercounter fit
- Do not obstruct front grille air flow



Double Zone System  
featured in 1175BEV.

\*Lock model must be ordered right-hinge or left-hinge specific.



I175BEVS Stainless Model

**DIMENSIONS AND SPECIFICATIONS**

**OVERALL DIMENSIONS**

Height	34-1/8" (86.6)
Width	23-15/16" (60.8)
Depth	23-5/16" (59.2)
With stainless steel handle	25-3/16" (63.9)

**Shipping weight:**

Stainless steel wrap 126 lbs (58 kg)

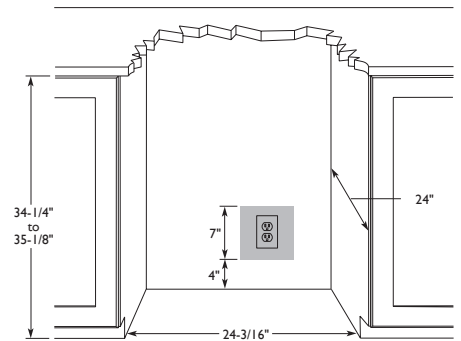
Running amps 2.4  
 Maximum start-up amps 9.8  
 Amps pertain to voltage rating 110/115 volt, 60 Hz

**Capacities:**

Defrost technology Automatic  
 Refrigerator volume 5.6 Cu. Ft  
 Wine bottle storage (0.75L) Up to 16  
 Shelf storage Up to 48 12oz bottles and 65 12 oz cans

**I175BEV**

Stainless	U-I175BEVS-00
Stainless, RH with lock	U-I175BEVS-13
Stainless, LH with lock	U-I175BEVS-15



Please visit [www.u-line.com](http://www.u-line.com) for installation guide.

All specifications are subject to change without notice.

