



1175R

1000 SERIES

FEATURES

PERFORMANCE

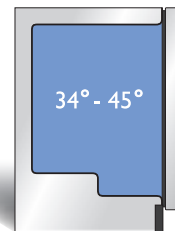
- 5.3 cubic feet overall capacity maximizes storage
- Touch pad digital control featuring easy view command center manages key functions and provides user alerts such as a door open alert
- Digital controlled passive cooling system
- Temperature setting from 34 to 45° F provides flexibility for preserving a wide variety of food and beverage items
- Sabbath / Blackout mode turns off all lighting, controls display and automatically resets after 36 hours
- ENERGY STAR® / CEE Tier 3 rated
- UL residential and commercial listings
- Automatic defrost

INTERIOR / EXTERIOR

- Lighted white interior optimizes easy viewing of contents
- Three tempered glass shelves with bullnose edge to maximize storage potential
- Standard commercial stainless steel handle is interchangeable with professional handle option for stainless model
- Two adjustable door bins allow for flexible storage
- Stainless steel wrap door with black end caps on stainless model must be ordered left or right hand hinged
- Black and white model doors are field reversible
- Vinyl clad textured cabinet is more resistant to scratching, peeling and flaking
- All models available with optional door lock*

INTEGRATION

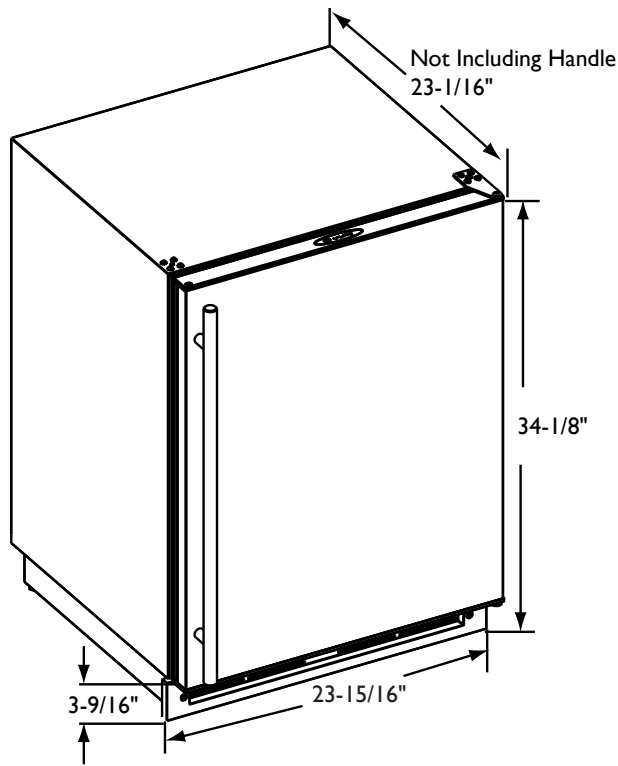
- Unit can be built-in or freestanding providing a custom aesthetic
- Allow a 2-1/2" clearance on hinged side for 90° door opening when installed adjacent to a wall (for stainless steel model)
- Black and white models will accept a 1/4" insert panel to match surrounding decor
- Allow 1/4" width overall for proper installation (see backside for details)
- No additional clearance around sides, top or rear of unit is needed for ventilation
- Durable, factory installed level legs provide a more precise undercounter fit
- Do not obstruct front grille air flow



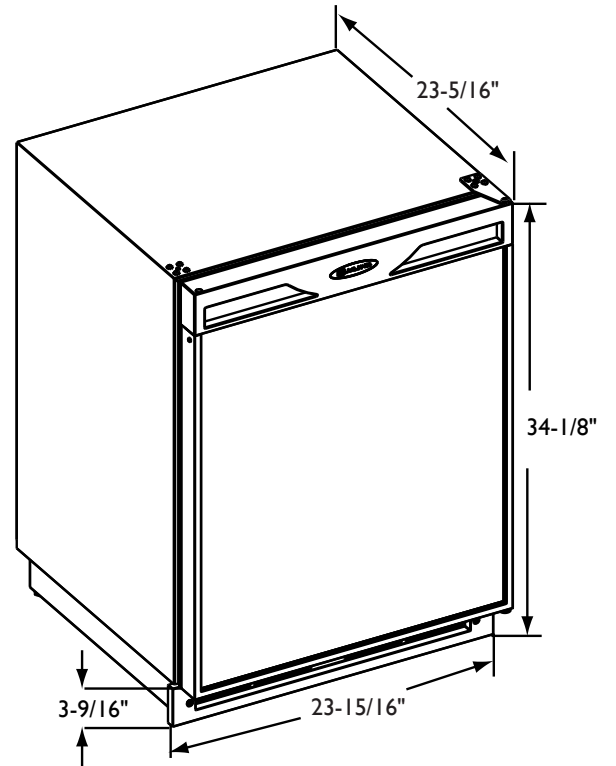
Single Zone Passive Cooling System featured in 1175R.



*Black and white lock models are field reversible, stainless lock model must be ordered right-hand or left-hand hinge specific.



I175RS Stainless Model



I175RB Black Model and I175RW White Model

DIMENSIONS AND SPECIFICATIONS

OVERALL DIMENSIONS

Height	34-1/8" (86.6)
Width	23-15/16" (60.8)
Depth	23-5/16" (59.2)
With stainless steel handle	25-3/16" (64)

Shipping weight:

Black and white models	110 lbs (50 kg)
Stainless model	110 lbs (50 kg)

Running amps	2.4
Maximum start-up amps	9.8
Amps pertain to voltage rating	110/115 volt, 60 Hz
ENERGY STAR® and CEE Tier 3 Rated	

Capacities:

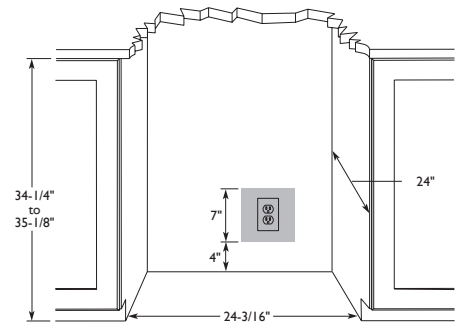
Defrost technology	Automatic
Refrigerator volume	5.3 Cu. Ft

Please visit www.u-line.com for installation guide.

All specifications are subject to change without notice.

I175R

Stainless Left-hand	U-1175RS-01
Stainless Right-hand	U-1175RS-00
Black	U-1175RB-00
White	U-1175RW-00
Black, with lock	U-1175RB-13
White, with lock	U-1175RW-13
Stainless RH, with lock	U-1175RS-13
Stainless LH, with lock	U-1175RS-15



Rough opening and electrical location dimensions

