



2115R

2000 SERIES

FEATURES

PERFORMANCE

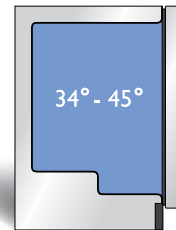
- 3.0 cubic feet overall capacity maximizes storage
- Touch digital control featuring easy view command center manages key functions and provides user alerts such as an audible door open alarm
- Digital controlled single zone passive cooling system provides a stable and consistent environment for optimum food and beverage storage
- Temperature setting from 34 to 45° F
- Sabbath / Blackout mode turns off all lighting, controls display and automatically resets after 36 hours
- UL residential and commercial listings
- Automatic defrost

INTERIOR / EXTERIOR

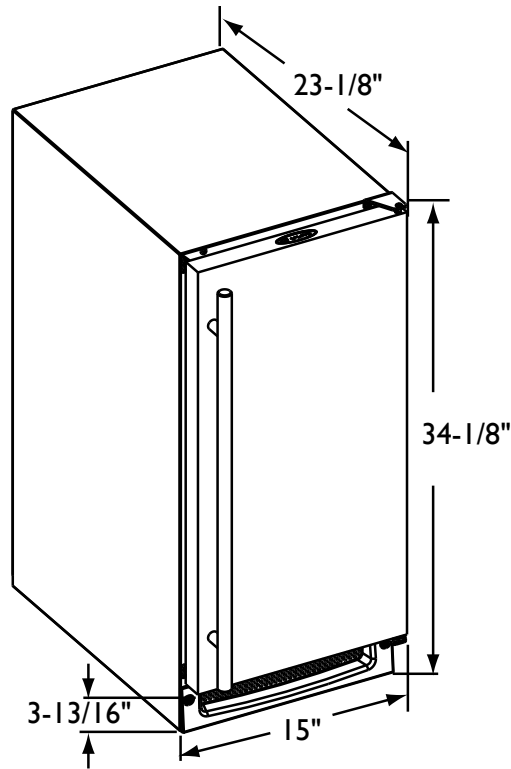
- Lighted white interior optimizes easy viewing of contents
- Three tempered glass shelves with bullnose edge to maximize storage potential
- Standard commercial stainless steel handle is interchangeable with professional handle option
- Two adjustable door bins allow for flexibility to meet varying food and beverage storage needs
- Full wrap stainless door on stainless model and unit must be ordered right or left hand hinged
- Vinyl clad textured cabinet is more resistant to scratching, peeling and flaking

INTEGRATION

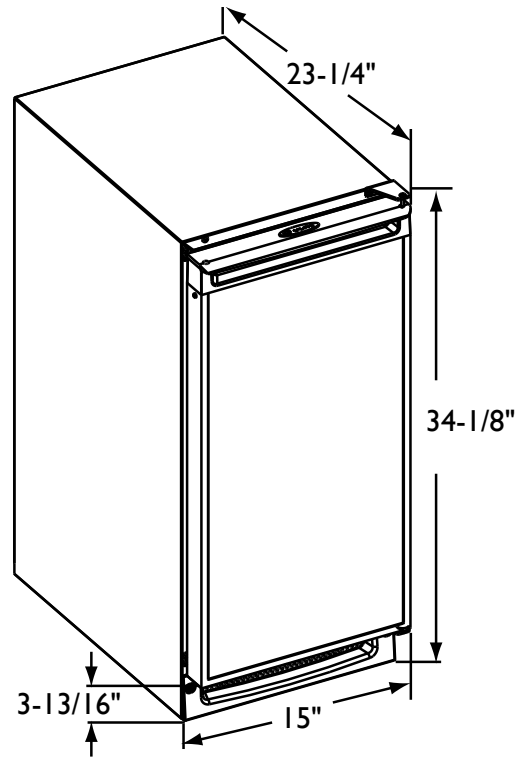
- Unit can be built-in or freestanding providing a custom aesthetic
- Optional full 3/4" overlay panel on black and white models requires purchase of overlay kit PN: U-OL2115 and can be fully integrated into all styles of cabinetry
- Black and white models will accept a 1/4" insert panel to match surrounding decor
- Allow a 2-1/2" clearance on hinged side for 90° door opening when installed adjacent to a wall (for stainless steel model)
- Allow 1/4" width overall for proper installation (see backside for details)
- No additional clearance around sides, top or rear of unit is needed for ventilation
- Durable, factory installed level legs provide a more precise undercounter fit
- Do not obstruct front grille air flow



Single Zone Passive Cooling System featured in 2115R.



2115RS Stainless Model

2115RB Black Model and
2115RW White Model

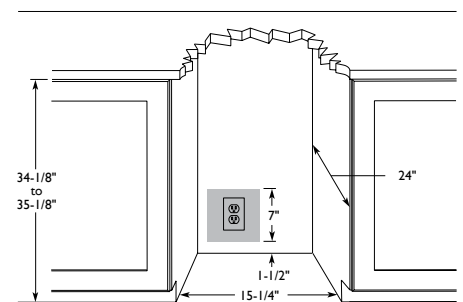
DIMENSIONS AND SPECIFICATIONS

OVERALL DIMENSIONS

Height	34-1/8" (866)
Width	15" (381)
Depth	23-1/4" (590)
With stainless steel handle	25-1/8" (638)
Shipping weight:	
Black and white models	89 lbs (40 kg)
Stainless steel wrap	88 lbs (40 kg)
Running amps	2.4
Amps pertain to voltage rating	110/115 volt, 60 Hz
Capacities:	
Defrost technology	Automatic
Refrigerator volume	3.0 Cu. Ft

2115R

Stainless Right-hand	U-2115RS-00
Stainless Left-hand	U-2115RS-01
Black	U-2115RB-00
White	U-2115RW-00
Overlay	U-2115RB-00 with Overlay kit U-OL2115B



Please visit www.u-line.com for installation guide.

All specifications are subject to change without notice.

