



Stainless

Overlay

2175BEVC

2000 SERIES

FEATURES

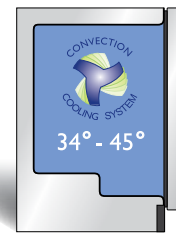
PERFORMANCE

- 5.6 cubic feet overall storage capacity allows for up to 16 (.75L) wine bottles, 48 – 12 oz beer bottles and 65 – 12 oz cans
- Touch digital control featuring easy view command center manages key functions and provides user alerts such as an audible door open alarm
- Digital controlled single-zone convection cooling system provides a stable and consistent environment for optimum beverage storage
- Temperature setting from 34 to 45° F and approved for supplemental refrigeration of meat and dairy products
- Sabbath / Blackout mode turns off all lighting, controls display and automatically resets after 36 hours
- UL residential and commercial listings

Solid Panel
Overlay

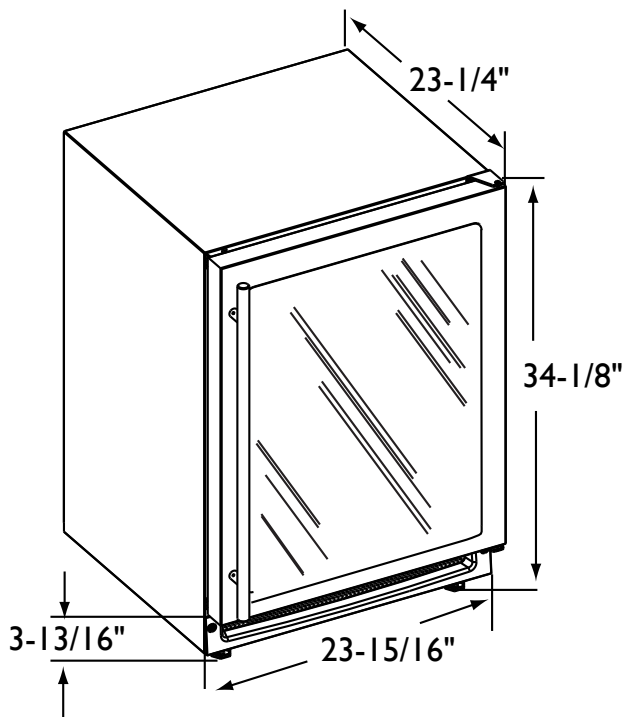
INTERIOR / EXTERIOR

- Lighted black interior optimizes elegant display and easy viewing of contents and can be manually turned on for display of contents with door closed; automatically shuts off after four hours
- Two solid beech wood trimmed, full-extension black vinyl coated wine racks allow for full access to stored wines
- Two tempered glass shelves with bullnose edge to maximize storage potential
- Standard commercial stainless steel handle is interchangeable with professional handle option on stainless model
- Self-closing door ensures a positive door seal and prevents door bounce back
- Full wrap stainless door on stainless model is field reversible
- Overlay model door is field reversible and provides flexible installation options
- LowE coated, argon gas filled thermopane glass door provides protection from potentially harmful UV rays and added insulating energy efficiency
- Black vinyl clad textured cabinet is more resistant to scratching, peeling and flaking

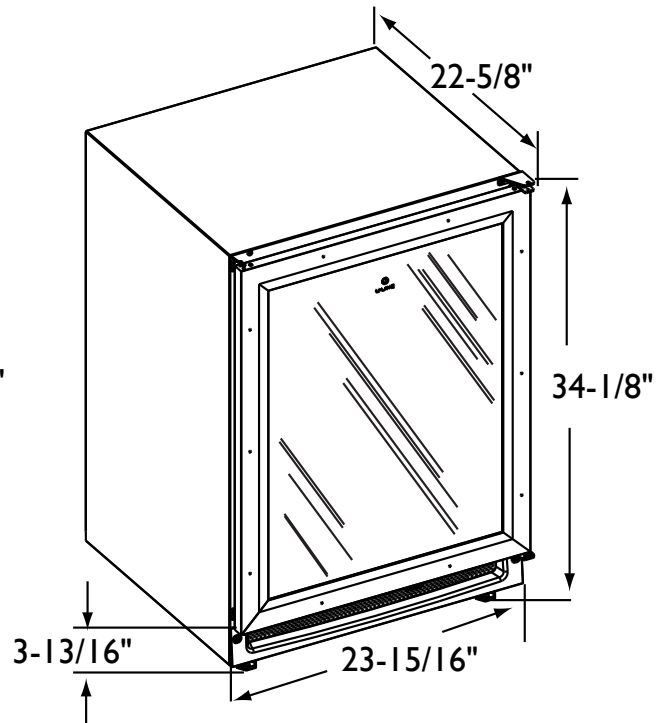
Single Zone Convection
Cooling System
featured in 2175BEVC.

INTEGRATION

- Solid beech wood trim on wine racks can be stained to match surrounding cabinetry
- Unit can be built-in or freestanding providing a custom aesthetic
- Overlay model accepts a full 3/4" overlay frame and can be fully integrated into all styles of cabinetry with zero clearance
- Allow a 2-1/2" clearance on hinged side for 90° door opening when installed adjacent to a wall (for stainless steel model)
- Allow 1/4" width overall for proper installation (see backside for details)
- No additional clearance around sides, top or rear of unit is needed for ventilation
- Durable, factory installed level legs provide a more precise undercounter fit
- Do not obstruct front grille air flow



2175BEVCS Stainless Model



2175BEVCOL Overlay Model
* Not including wood overlay frame

DIMENSIONS AND SPECIFICATIONS

OVERALL DIMENSIONS

	inches (mm)
Height	34-1/8" (866)
Width	23-15/16" (608)
Depth	23-1/4" (591)
With stainless steel handle	25-1/8" (638)

Shipping weight:

Stainless model	136 lbs	(62 kg)
Overlay model	133 lbs	(60 kg)

Running amps	2.4
Maximum start-up amps	9.8
Amps pertain to voltage rating	110/115 volt, 60 Hz

Capacities:

Defrost technology	Automatic
Refrigerator volume	5.6 Cu. Ft
Wine bottle storage (0.75L)	Up to 16
Shelf storage	Up to 48 12 oz bottles and 65 12 oz cans

Please visit www.u-line.com for installation guide.
All specifications are subject to change without notice.

2175BEVC	
Stainless	U-2175BEVCS-00
2175BEVCOL	
Overlay	U-2175BEVCOL-00
Solid door overlay	U-2175BEVCOL-60

