



Stainless

Black



White

Overlay

## 2175RF

6444#VMW

### FEATURES

#### PERFORMANCE

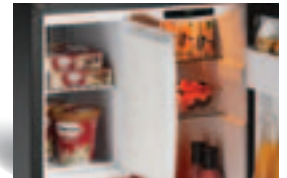
- 4.2 cubic feet overall refrigerator capacity and 1.5 cubic feet overall freezer capacity maximizes storage
- Touch glass digital control featuring easy view command center manages key functions and provides user alerts such as an audible door open alarm
- Digital controlled single-zone convection cooling system provides a stable and consistent environment for optimum food and beverage storage
- Temperature setting from 34 to 45° F provides flexibility for preserving a wide variety of items
- Sabbath / Blackout mode turns off all lighting, controls display and automatically resets after 36 hours
- Patented frost-free technology
- UL residential listing

#### INTERIOR / EXTERIOR

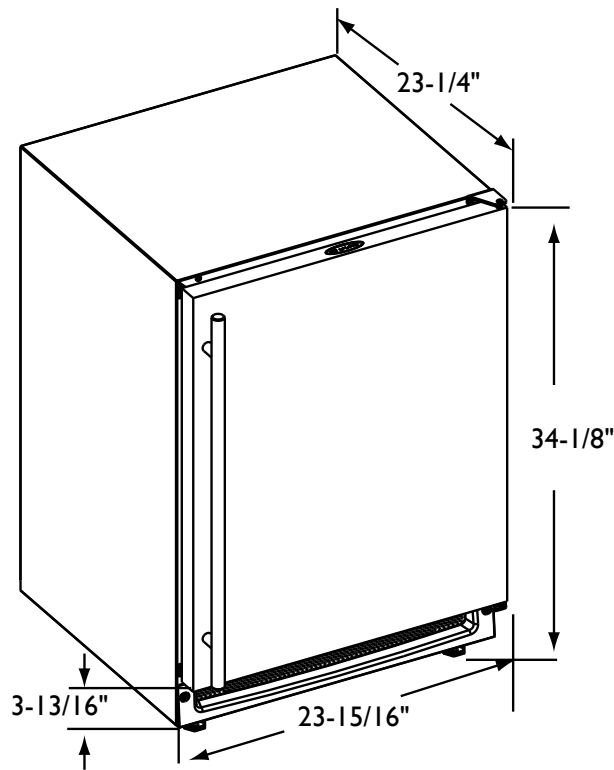
- Lighted white interior allows for easy viewing of contents
- Three tempered glass shelves with bullnose edge to maximize storage potential
- Convenient crisper drawer for proper storage and humidity control of perishable items
- Two in-door storage bins provide easy access and storage flexibility
- Standard commercial stainless steel handle is interchangeable with professional handle option on stainless steel model
- Full wrap stainless door on stainless model must be ordered right or left hand hinged
- Black, white and overlay door is field reversible
- Vinyl clad textured cabinet is more resistant to scratching, peeling and flaking

#### INTEGRATION

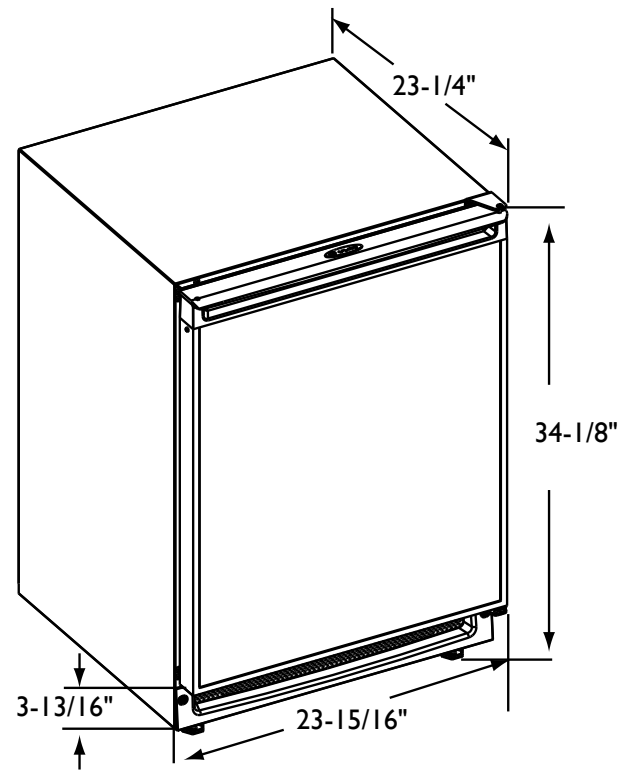
- Unit can be built-in or freestanding providing a custom aesthetic
- Black and white models will accept a 1/4" insert panel to match with surrounding decor
- Optional full 3/4" overlay panel on black and white models requires purchase of overlay kit PN: U-OL2175 and can be fully integrated into all styles of cabinetry
- Allow a 2-1/2" clearance on hinged side for 90° door opening when installed adjacent to a wall (for stainless steel model)
- Allow 1/4" width overall for proper installation (see backside for details)
- No additional clearance around sides, top or rear of unit is needed for ventilation
- Durable, factory installed level legs provide a more precise undercounter fit
- Do not obstruct front grille air flow



The Combo® Models bring together abundant ice supply with generous refrigeration capacity in the convenience of one unit.



2175RFS Stainless Model

2175RFB Black Model and  
2175RFW White Model

## DIMENSIONS AND SPECIFICATIONS

### OVERALL DIMENSIONS

Height	34-1/8" (86.6)
Width	23-15/16" (60.8)
Depth	23-1/4" (59.0)
With stainless steel handle	24-15/16" (63.3)

### Shipping Weight:

Black and white models	130 lbs (59 kg)
Stainless model	124 lbs (56 kg)

Running amps	2.5
Maximum start-up amps	6.5
Amps pertain to voltage rating	110/115 volt, 60 Hz

### Capacities:

Defrost technology	Frost-free
Refrigerator volume	4.2 Cu. Ft
Freezer volume	1.5 Cu. Ft
Approximate daily ice production	N/A
Ice Storage	N/A

Please visit [www.u-line.com](http://www.u-line.com) for installation guide.

All specifications are subject to change without notice.

### 2175RF

Stainless Right-hand	U-2175RFS-00
Stainless Left-hand	U-2175RFS-00
Black	U-2175RFB-00
White	U-2175RFW-00
Overlay	U-2175RFB-00 with Overlay kit U-OL2175B

