



BI2115

2000 SERIES

FEATURES

PERFORMANCE

- Daily ice rate of up to 25 lbs of crescent ice
- Stores up to 25 lbs of ice
- Uses less than 3 gallons of water to produce 25 lbs of ice, conserving both energy and water
- Uses less energy than a 75 watt light bulb
- Perfect size crescent ice cubes (1/2"W x 3/4"H x 2-1/2"L)
- Mechanical control monitors ice making operation to ensure maximum daily ice production
- Manual defrost
- UL residential and commercial listings

INTERIOR / EXTERIOR

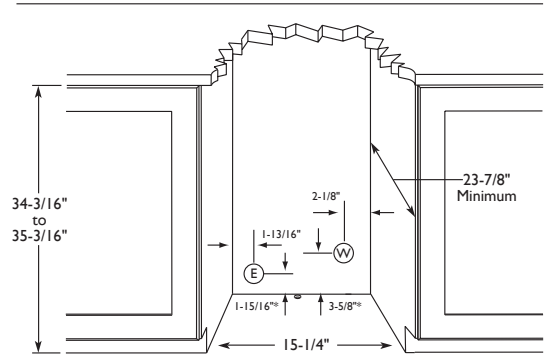
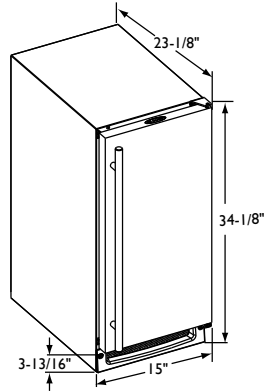
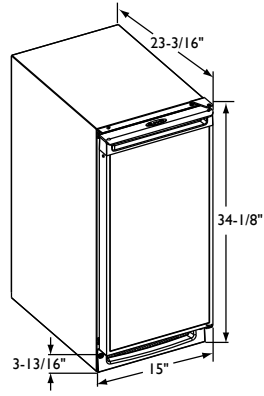
- No drain required, easy and inexpensive to install and requires only a 1/4" outside diameter water line
- Stainless model door must be ordered left or right hand hinged
- Black door model is field reversible
- Self-closing door ensures a positive door seal and prevents door bounce back
- Standard commercial stainless handle is interchangeable with professional handle option for stainless steel model
- Vinyl clad textured cabinet is more resistant to scratching, peeling and flaking

INTEGRATION

- Unit can be built-in or freestanding providing a custom aesthetic
- Black and white models will accept a 1/4" insert panel to match with surrounding decor
- Optional full 3/4" overlay panel on black and white models requires purchase of overlay kit PN: U-OL2115
- Allow a 2-1/2" clearance on hinged side for 90° door opening when installed adjacent to a wall (for stainless steel model)
- With a 3/4" overlay panel installation, allow for a 130° door swing to ensure removal of ice bin
- Allow 1/4" width overall for proper installation (see back side for details)
- No additional clearance around sides, top or rear of unit is needed for ventilation
- Durable, factory installed leveling legs provide a more precise undercounter fit
- Do not obstruct front grille air flow



No ice shortages here. Produces up to 25 pounds of crescent ice (1/2" W x 3/4" H 2-1/2" L) per day. No drain required.



Legend: E - Electrical W - Water *Can Vary Up To +1" Depending On Height Of Leveler Legs

**BI2115S Stainless Model and
BI2115B Black Model and BI2115W White Model**
* Add 5/8" for water line clearance

DIMENSIONS AND SPECIFICATIONS

OVERALL DIMENSIONS

Height	34-1/8" (86.6)
Width	15" (38.1)
Depth – black model	23-3/16" (58.9)
With stainless steel handle	25" (63.5)
Shipping weight	94 lbs (39 kg)
Running amps	2.5
Maximum start-up amps	18.0
Amps pertain to voltage rating	110/115 volt, 60 Hz

Capacities:

Approximate daily ice production	Up to 25 lbs
Ice storage	Up to 25 lbs
Manual defrost	

Optional in 220/230 voltage, 50/60 Hz
On the 220/230 volt models, amps are decreased by approximately 50 percent.

BI2115	
Stainless Right-hand	U-BI2115S-00
Stainless Left-hand	U-BI2115S-01
Black	U-BI2115B-00
White	U-BI2115W-00
Overlay	U-BI2115B-00 with Overlay kit U-OL2115B

Please visit www.u-line.com for installation guide.
All specifications are subject to change without notice.

