



Stainless



Black



Overlay

CLRCO2175

6444#W VM W

FEATURES

PERFORMANCE

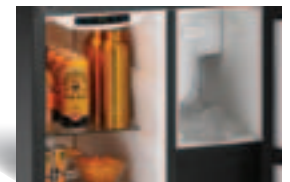
- 2.5 cubic feet overall refrigerator capacity maximizes storage
- Daily ice rate of up to 40 lbs and storage of up to 15 lbs of clear ice cubes (1/2"W x 3/4"H x 2-1/2"L)
- Unit can be ordered unit with our without factory installed P60 drain pump
- Drain required, drain line kit included to ensure proper installation
- Touch glass digital control featuring easy view command center manages key functions and provides user alerts such as an audible door open alarm
- Digital controlled passive cooling system provides a stable and consistent environment for optimum food and beverage storage
- Temperature setting from 34 to 45° F provides flexibility for preserving a wide variety of items
- Sabbath / Blackout mode turns off all lighting, controls display and automatically resets after 36 hours
- Patented frost-free technology
- UL residential listing

INTERIOR / EXTERIOR

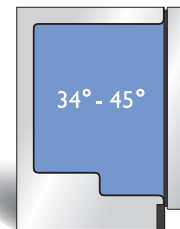
- Lighted white interior allows for easy viewing of contents
- Three tempered glass shelves with bullnose edge to maximize storage potential
- Two in-door storage bins provide easy access and storage flexibility
- Standard commercial stainless steel handle is interchangeable with professional handle option on stainless steel model
- Full wrap stainless door on stainless model must be ordered right or left hand hinged
- Black and overlay door is field reversible
- Black vinyl clad textured cabinet is more resistant to scratching, peeling and flaking

INTEGRATION

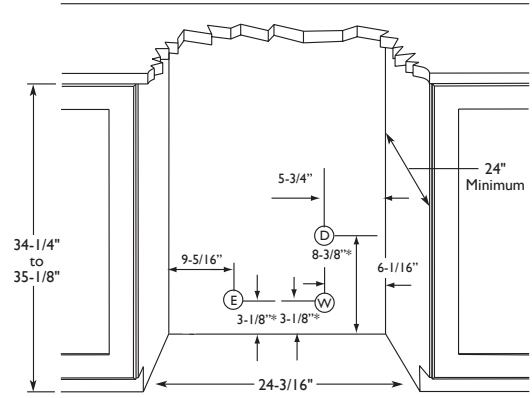
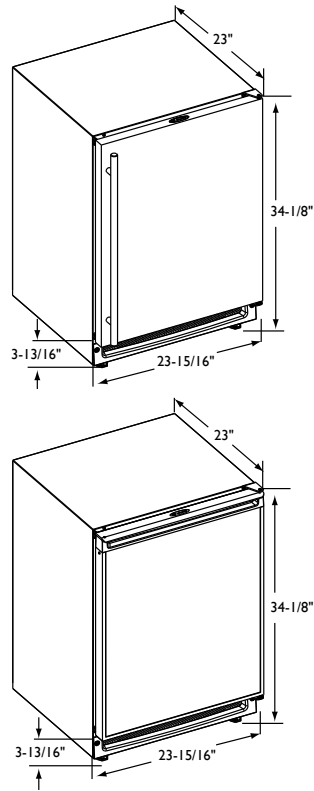
- Unit can be built-in or freestanding providing a custom aesthetic
- Black model will accept a 1/4" insert panel
- Optional full 3/4" overlay panel on black and white models requires purchase of overlay kit PN: U-OL2175 and can be fully integrated into all styles of cabinetry
- Allow a 2-1/2" clearance on hinged side for 90° door opening when installed adjacent to a wall (for stainless steel model)
- Allow 1/4" width overall for proper installation (see backside for details)
- No additional clearance around sides, top or rear of unit is needed for ventilation
- Durable, factory installed level legs provide a more precise undercounter fit
- Do not obstruct front grille air flow



The Combo® Models bring together abundant ice supply with generous refrigeration capacity in the convenience of one unit.



Single Zone Passive Cooling System featured in CLRCO2175.



Legend: E - Electrical W - Water D - Drain

**CLRCO2175S Stainless Model and
CLRCO2175B Black Model**

* Add 3/4" to depth for water line clearance

DIMENSIONS AND SPECIFICATIONS

OVERALL DIMENSIONS

Height	34-1/8" (86.6)
Width	23-15/16" (60.8)
Depth	23" (58.4)
With stainless steel handle	24-7/8" (63.2)

Shipping weight:

Black model	143 lbs (65 kg)
Stainless model	137 lbs (62 kg)

Running amps	4.0
Maximum start-up amps	26.5
Amps pertain to voltage rating	110/115 volt, 60 Hz

Capacities:

Defrost technology	Automatic defrost
Refrigerator volume	2.5 Cu. Ft
Freezer volume	N/A
Approximate daily ice production	Up to 40 lbs
Ice storage	Up to 15 lbs

CLRCO2175

Stainless Right-hand, no pump	U-CLRCO2175S-00
Stainless Right-hand, with pump	U-CLRCO2175S-40
Stainless Left-hand, no pump	U-CLRCO2175S-01
Stainless Left-hand, with pump	U-CLRCO2175S-41
Black, no pump	U-CLRCO2175B-00
Black, with pump	U-CLRCO2175B-40
Overlay	U-CLRCO2175B with Overlay kit U-OL2175B

Please visit www.u-line.com for installation guide.

All specifications are subject to change without notice.