



Stainless

Black

CO1175

5444#W VM W

FEATURES

PERFORMANCE

- 4.2 cubic feet overall refrigerator capacity maximizes storage
- Daily ice rate of up to 18 lbs and storage of up to 13 lbs of crescent ice cubes (1/2"W x 3/4"H x 2-1/2"L)
- No drain required, easy and inexpensive installation, only required a 1/4" diameter outside line
- Uses less than one gallon of water to produce 8 lbs of ice
- Mechanical dial controlled passive cooling system provides a stable and consistent environment for optimum food and beverage storage
- Temperature setting from 34 to 45° F provides flexibility for preserving a wide variety of items
- Manual defrost
- UL residential listing

INTERIOR / EXTERIOR

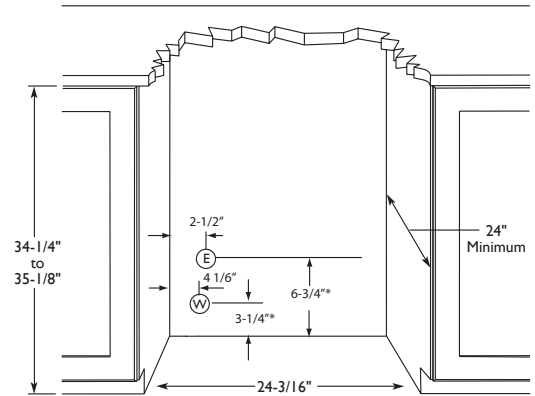
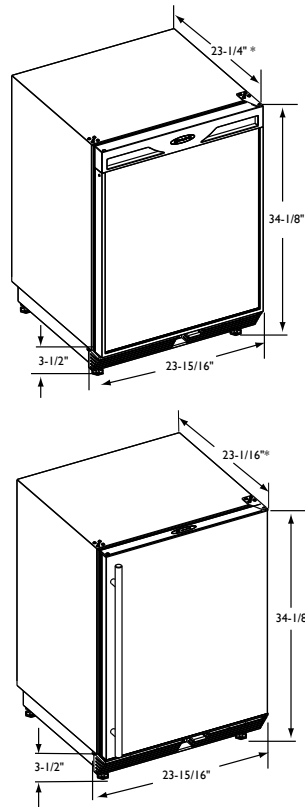
- Three tempered glass shelves with bullnose edge to maximize storage potential
- Two in-door storage bins provide easy access and storage flexibility
- Standard commercial stainless steel handle is interchangeable with professional handle option on stainless steel model
- Stainless steel wrap door with black end caps on stainless model must be ordered left or right hand hinged
- Black model door is field reversible
- Black vinyl clad textured cabinet is more resistant to scratching, peeling and flaking

INTEGRATION

- Unit can be built-in or freestanding providing a custom aesthetic
- Black model will accept a 1/4" insert panel to match with surrounding decor
- Allow 1/4" width overall for proper installation (see backside for details)
- No additional clearance around sides, top or rear of unit is needed for ventilation
- Durable, factory installed level legs provide a more precise undercounter fit
- Do not obstruct front grille air flow
- Product note: with left hand hinge installation, allow for 125° door swing to ensure easy removal of ice bin



The Combo® Models bring together abundant ice supply with generous refrigeration capacity in the convenience of one unit.



Legend: E - Electrical W - Water *Can Vary Up To +1" Depending on Leg Leveler Height

CO1175S Stainless Model and CO1175B Black Model

* Add 3/16" to depth for water line clearance

DIMENSIONS AND SPECIFICATIONS

OVERALL DIMENSIONS

Height	34-1/8" (86.6)
Width	23-15/16" (60.8)
Depth	23-1/2" (59.7)
With stainless steel handle	24-15/16" (63.3)

Shipping Weight:

Black model	117 lbs (53 kg)
Stainless model	119 lbs (54 kg)

Running amps	2.5
Maximum start-up amps	18.0
Amps pertain to voltage rating	110/115 volt, 60 Hz
Optional in 220/230 voltage, 50/60 Hz	

Capacities:

Defrost technology	Manual defrost
Refrigerator volume	4.2 Cu. Ft
Freezer volume	N/A
Approximate daily ice production	Up to 18 lbs
Ice storage	Up to 13 lbs

*When installing a left-hand hinge model, allow a 125° door swing for proper removal of ice bin

Please visit www.u-line.com for installation guide.

All specifications are subject to change without notice.

CO1175

Stainless Right-hand	U-CO1175S-00
Stainless Left-hand	U-CO1175S-01
Black	U-CO1175B-00