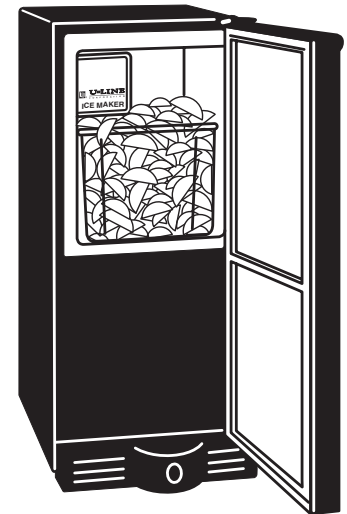
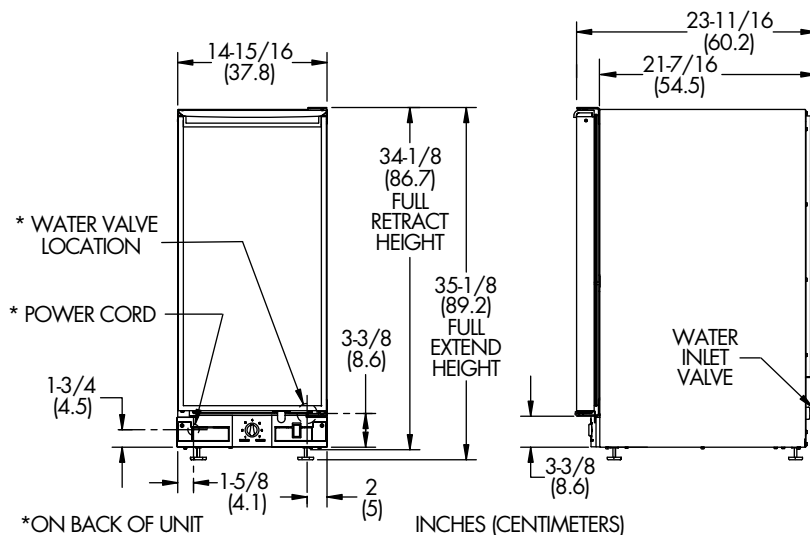


Custom 1/4" Door Panel: 28-5/32" H x 14-1/32" W (71.5 cm x 35.6 cm)
 3/4" Full Overlay Panel: 29-7/8" H x 14-3/4" W (75.9 cm x 37.5 cm)
 See Overlay Door Panel Preparation Instructions

Built-in under the counter ice maker that produces up to twenty-five (25) pounds of ice per day and stores up to twenty-five (25) pounds.



SUPERIOR FEATURES OF ÉCHELON™

- 1. An EXCLUSIVE FEATURE of the Échelon™ Series products is the optional full overlay door capability (panel kit) using a 3/4 inch thick panel**
BENEFIT: Provides a fully integrated appearance with surrounding cabinets. Overlay panel is easily attached to the door.
- 2. Self closing door hinges are engaged when door is open approximately 8-10 inches**
BENEFIT: Ensures a positive door seal and prevents door bounce back.
- 3. Standard, all doors (except stainless steel units) come with a flush mounted door panel and will accept a 1/4 inch thick panel**
BENEFIT: A standard feature to achieve a custom, built-in look by matching surrounding cabinets.
- 4. A slightly contoured, across the top handle design for black and white units**
BENEFIT: The contoured shape maintains the stylized shape of the Échelon™ series plus permits full door field reversibility of the door for black and white units.
- 5. "L" shaped door hinges**
BENEFIT: This hinge design provides greater door support thereby permitting larger and heavier door panels and full overlay doors to be utilized.
- 6. Flat, recessed, front grille**
BENEFIT: Greater toe kick space. Blends with surrounding cabinets.
- 7. All stainless steel units have a seamless full wrap stainless steel cabinet and door with sculpted, contoured handle.**
BENEFIT: This seamless full wrap stainless steel door with sculpted stainless handle distinguishes the Échelon™ stainless steel units from other heavier "commercial" looks. All stainless steel units have a full stainless cabinet, stainless hinges, and black grille. All stainless units must be ordered either right or left hand hinged and are not field reversible.

SUPERIOR FEATURES OF ÉCHELON™

8. The BI-2015 stainless steel unit is deemed suitable for outdoor use by UL.

BENEFIT: For those outdoor applications that require products that are deemed suitable for outdoor use by UL, the BI-2015 stainless steel unit meets these requirements.

9. Field reversible doors (except stainless steel).

BENEFIT: Greater flexibility where the unit can be installed and allows for side-by-side applications.

ADDITIONAL FEATURES

1. No drain required for water
2. Conserves on water
3. Built-in or freestanding
4. Vinyl clad steel cabinet (black/white)
5. Adjustable leveling legs
6. Available in black, white, stainless steel

BENEFITS

Easy and inexpensive to install. Only requires a 1/4 inch outside diameter water line.

Uses only 2-3/4 gallons of water to produce approximately 22 lbs. of ice.

Provides custom look. No additional clearance around sides, top, or rear for ventilation. **Do not obstruct front grille.**

Rich, textured look, resistant to scratching, peeling, flaking.

More precise under the counter fit, durable – factory installed.

Blends with all cabinet colors.