

IMPORTANT

The full overlay door panel must not weigh more than 20 lbs. The thickness of the door panel must be 3/4".

1. Cut door panel to proper size (**Figure 1**). Be sure to note which model the door will be used on.

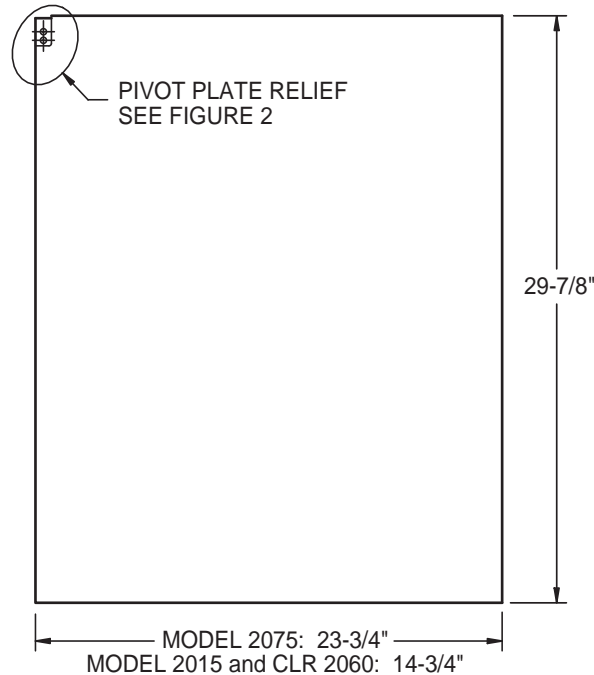


Figure 1
Rear View of Wood Panel For Right Hand Hinge Shown.
Use Mirror Image For Left Hand Hinges.

2. Create a relief (**Figure 2**) for pivot plate by cutting notch in top corner and coinciding back corner of panel. Refer to the following figures for exact specifications.

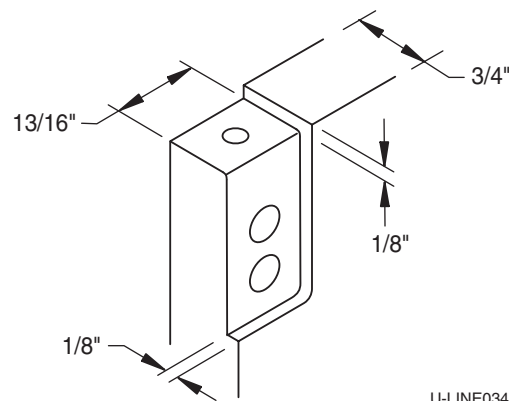


Figure 2
Relief Notch for Pivot Plate

U-LINE034

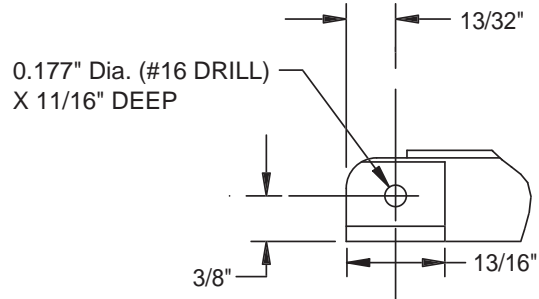


Figure 3A
Top View of Door

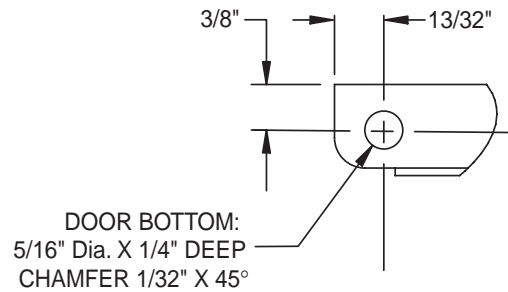


Figure 3C
Bottom View of Door

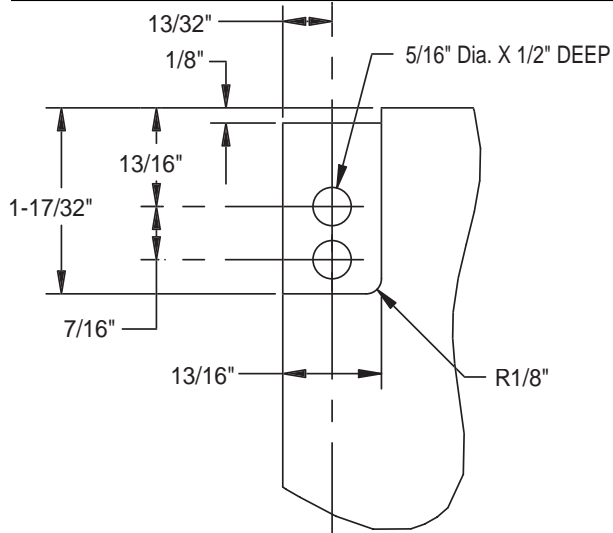


Figure 3B
Back View of Door

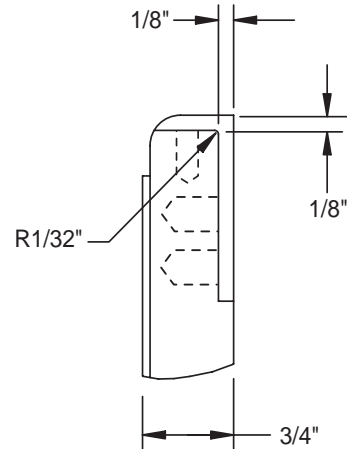


Figure 3D
Side View of Door

2A. Route notch in top corner of panel as shown (**Figures 3A and 3D**). Notch is entire depth of panel, front to back.

Width: 13/16"
Depth: 1/8"

2B. Route notch in back side of top corner of panel (**Figures 3B and 3D**).

Width: 13/16"
Depth: 1/8"
Height: 1-17/32" from top edge of panel (less 1/8" for depth of notch on top of panel)
Radius of corner notch: 1/8" (**Figure 3B**)

3. Drill holes for pivot plate mounts (**Figure 3B**).
5/16" diameter x 1/2" deep, from the routed surface

4. Drill hole for upper door hinge (top of panel) (**Figure 3A**).

0.177" diameter
(#16 drill) x 11/16" deep

5. Drill hole for lower door hinge (**Figure 3C**).

5/16" diameter x 1/4" deep

NOTE

It is important to ensure that all drilled holes are drilled to the correct depth in order to avoid splits in the wood when hardware is installed.